

# ISOR 315 EC K 01

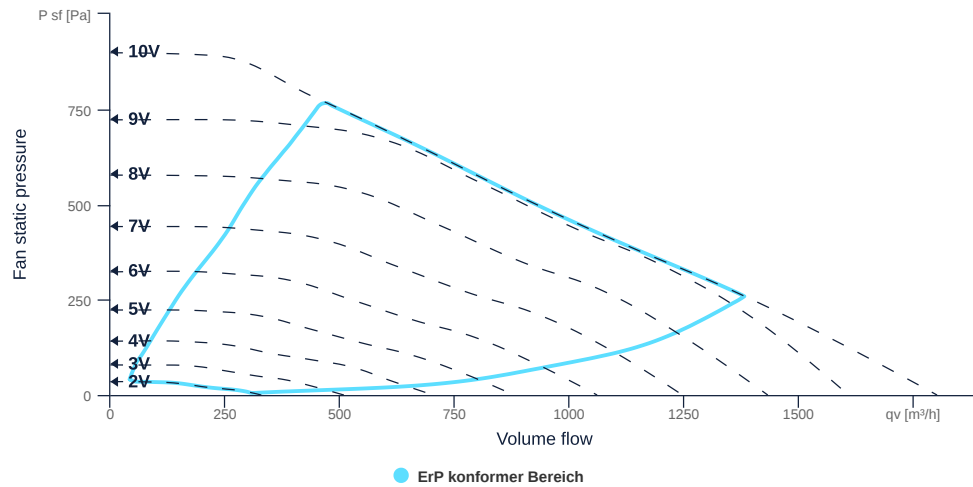
167346

- Soundproof centrifugal fan with backward curved impeller
- Galvanized sheet steel housing
- Connection spigots with double lip seal
- Swing-out fan unit
- EC motor, external rotor, steplessly controllable
- Internal electronic temperature monitoring
- Suitable for outdoor installation



## FAN CURVES

Name	Value	Unit
Volume flow	0	m <sup>3</sup> /h
Pressure	0	Pa



to the product detail page

## GENERAL DATA

Name	Value	Unit	Formula symbol
Labeling	CE, UKCA		
Duct size	-		WxH <sub>duct</sub>
Pipe connection size (DN)	DN315		DN
Rated voltage (entire device)	230	V	U <sub>rated</sub>
Phases (entire device)	1~		phase
Electrical protection (entire device)	6 A		fuse
Housing material	Galvanized steel		mat <sub>casing</sub>
Impeller material	Galvanized steel		mat <sub>impeller</sub>
IP-protection class (entire device)	IP54		IP <sub>compl</sub>
IP-Protection class (terminal box)	IP66		IP <sub>ebox</sub>
Weight	25	kg	m
Nominal air flow rate, nominal point m <sup>3</sup> /h	633.6	m <sup>3</sup> /h	q <sub>v,nom</sub>
Nominal external pressure, static	497.8	Pa	p <sub>s,nom</sub>
Fan type	Radial		Fan <sub>type</sub>
Category / Installation situation	A		cat

## ERP DATA (LOT 6)

Name	Value	Unit	Formula symbol
Nominal air flow rate, nominal point m <sup>3</sup> /s	0.18	m <sup>3</sup> /s	q <sub>v,nom</sub>
Actual electrical input power, nominal point	0.18	kW	P <sub>e,nom</sub>
Face velocity, nominal point	2.3	m/s	v <sub>nom</sub>
Nominal external pressure, static	497.8	Pa	p <sub>s,nom</sub>
supply air fan static efficiency, nominal point	56.5	%	η <sub>es,SUP</sub>
Highest external air leakage rate	0.56	%	
Enclosure sound level, nominal point	73	dB(A)	L <sub>WA2</sub>
Rating	Product is compliant 2018		



to the product detail page

## MAXIMAL DATA

Name	Value	Unit	Formula symbol
Max. power consumption (device)	274	W	$P_{ed, max}$
Max. operating current (device)	1.91	A	$I_{ed, max}$
Max. speed	2890	1/min	$n_{max}$
Max. stat. efficiency	44.4	%	$\eta_{es}$
Max. fan efficiency	44.8	%	$\eta_e$
Max. flowrate	1800	m <sup>3</sup> /h	$q_{v, max}$
Max. stat pressure	900	Pa	$p_{sf, max}$
Max. medium temperature	55	°C	$T_m, max$
Max. environment temperature	55	°C	$T_{amb, max}$
Min. environment temperature	-30	°C	$T_{amb, min}$

## MOTOR DATA

Name	Value		Unit	Formula symbol
	50 Hz	60 Hz		
Rated frequency (device)		50		f
Motor type		EC		phase
Control type		stepless-controlled		ctrltype
Installation type		ORM (Out)		install
Rotation direction		right		rotation
Isolation class		ISO F		ISOclass
Motor-protection		TEC		protectmotor
Protection class		IP30		IPmotor
Is pole-changeable		No		polexch
Type of power supply		AC 1~		pwsupmotor
Rated voltage	230	230	V	$U_{rated, f1}$
Rated current	1.74	1.74	A	$I_{rated, f1}$
Shaft power	272	272	W	$P_{out, f1}$
Speed	2547	2547	1/min	$n_{f1}$
Efficiency	52		%	$\eta_m, f1$
Min. temperature		-30	°C	$T_{motor, min}$
Cos Phi	0.000000	0.680000		cos $\varphi$
UL-Certification motor		None		ULcert

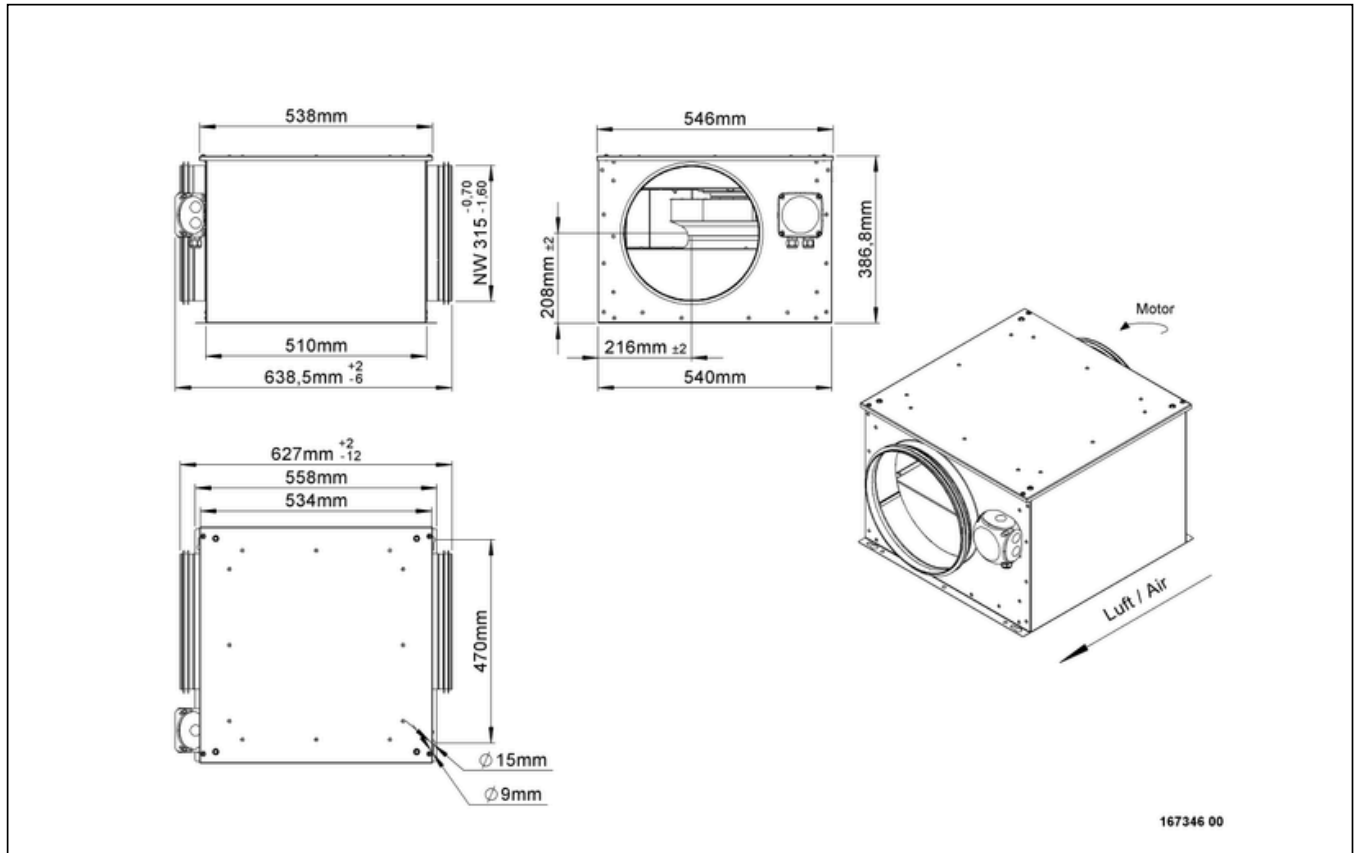


to the product detail page

# ISOR 315 EC K 01

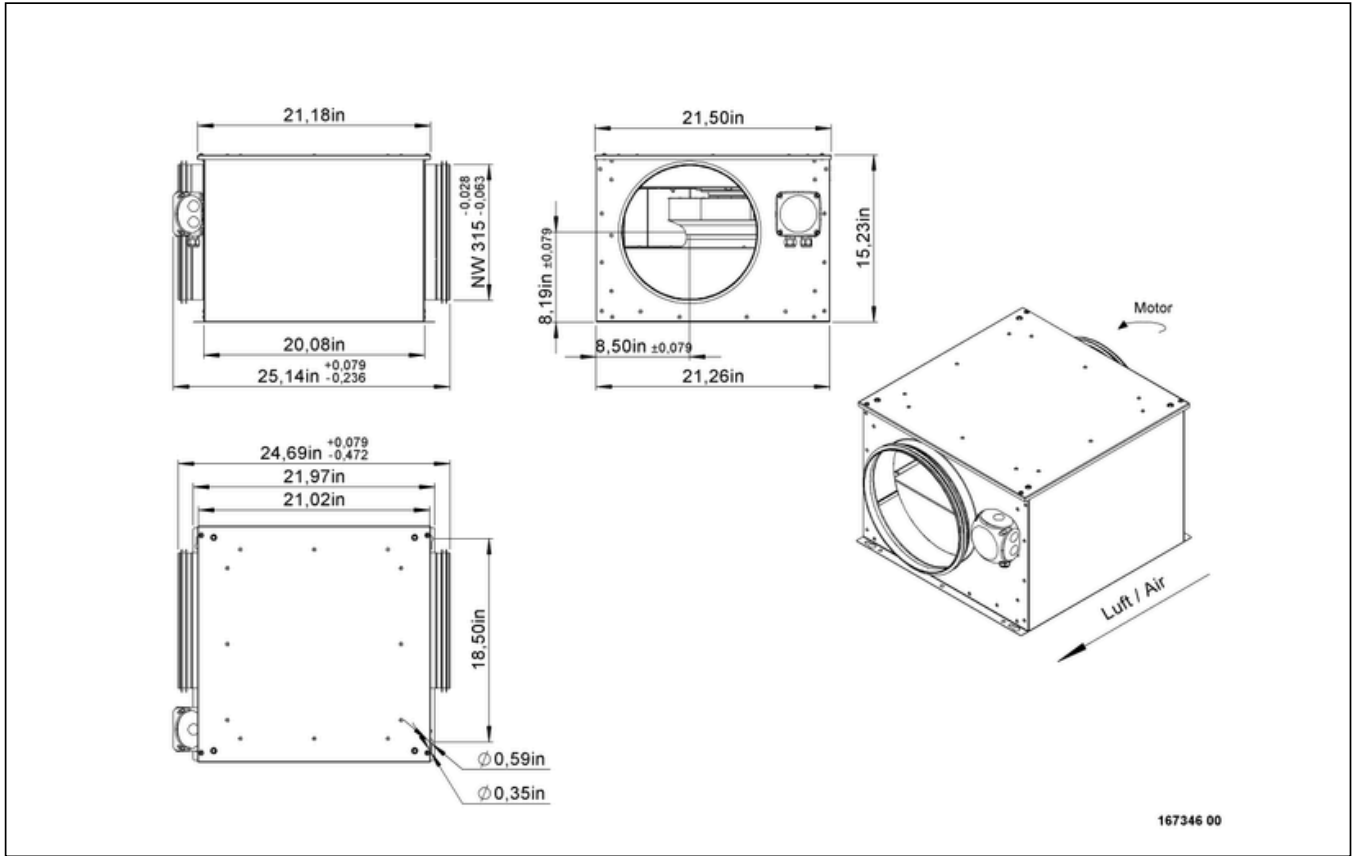
167346

## CIRCUIT DIAGRAMS / DIMENSIONAL DRAWINGS



# ISOR 315 EC K 01

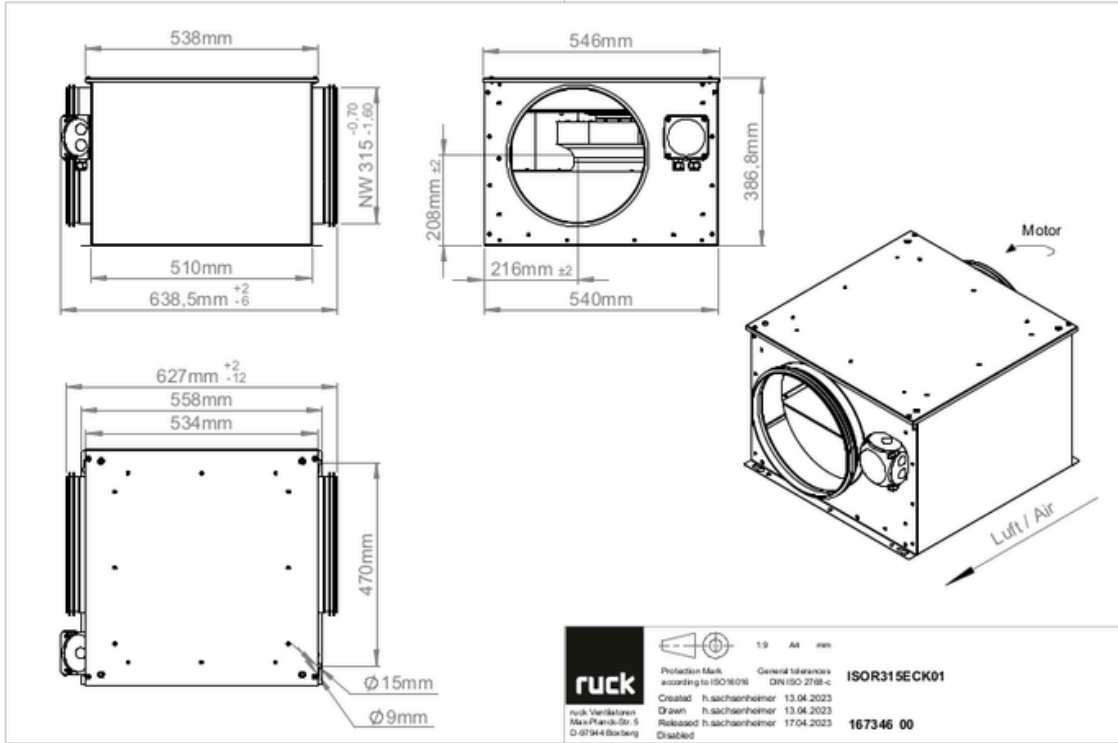
167346



to the product detail page

# ISOR 315 EC K 01

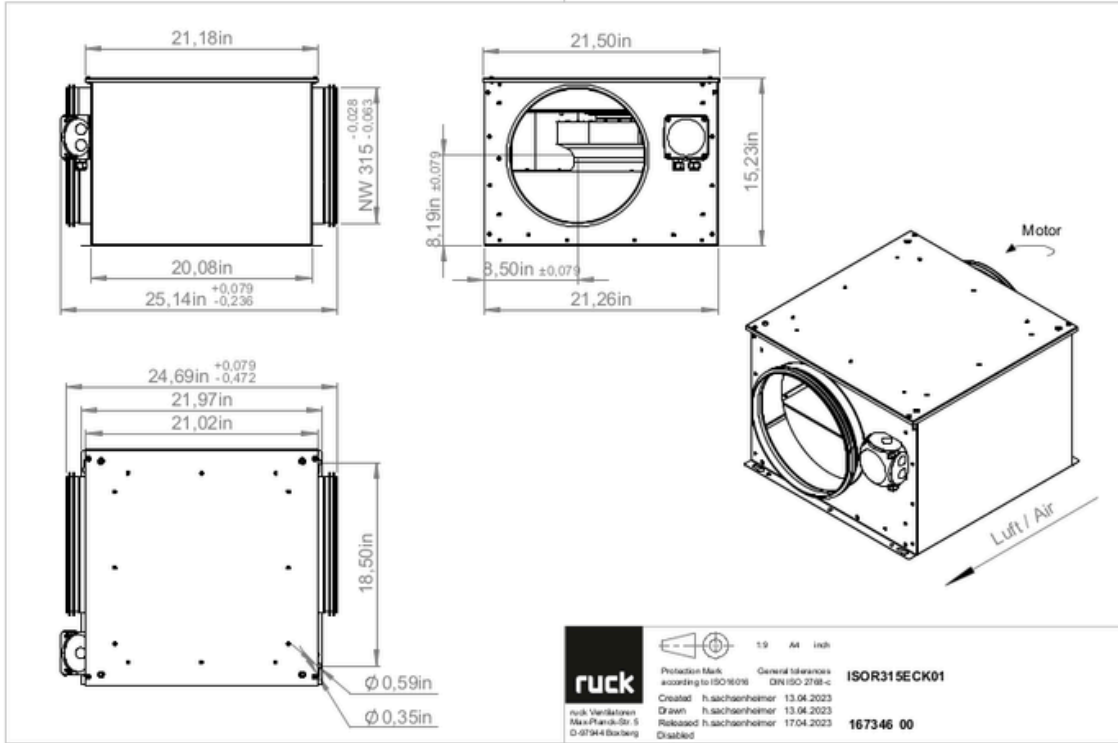
167346



to the product detail page

# ISOR 315 EC K 01

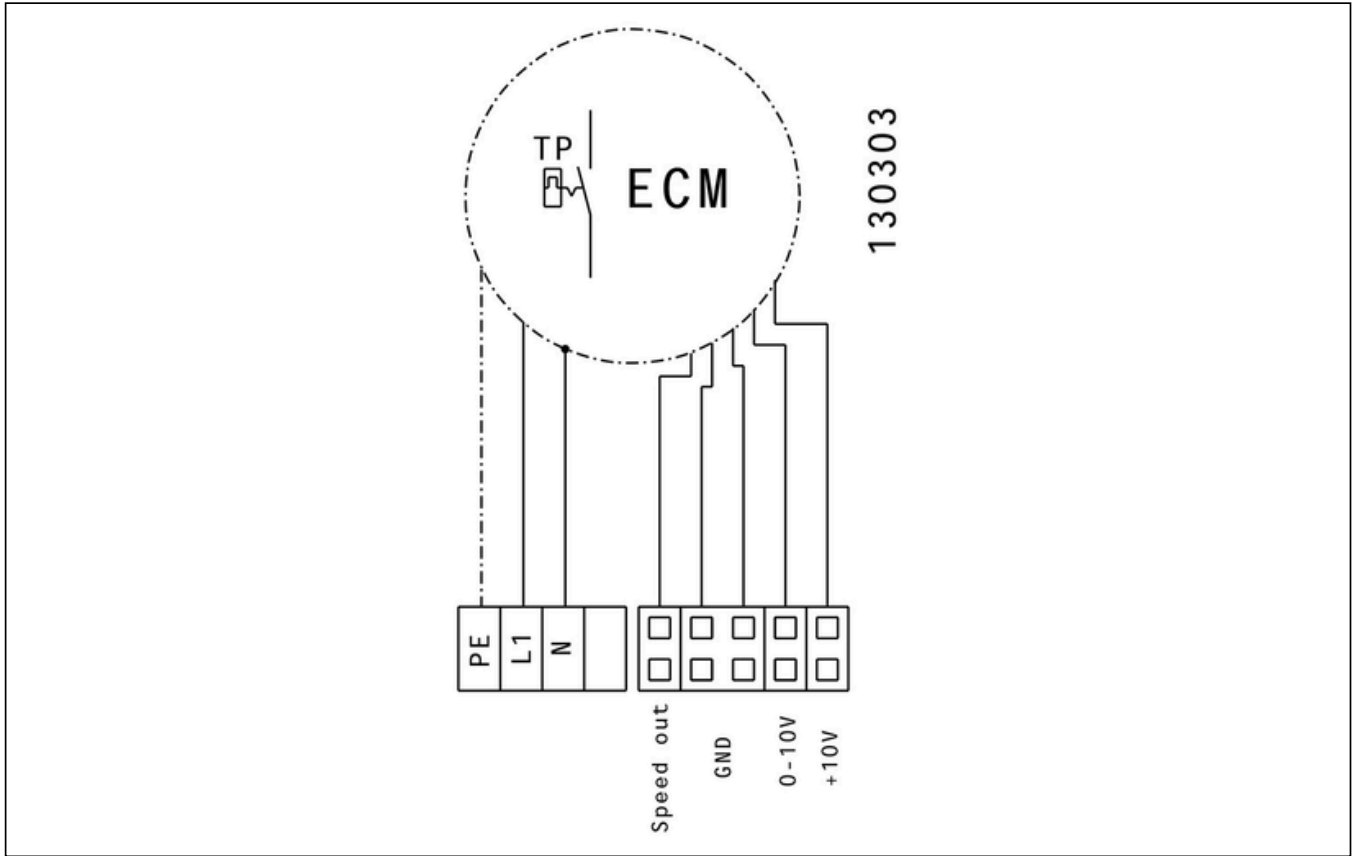
167346



to the product detail page

# ISOR 315 EC K 01

167346



[to the product detail page](#)



# ISOR 315 EC K 01

167346

## MECHANICAL ACCESSORIES

**VM 315 | 102652**



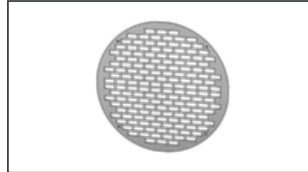
- Fast clamps for sound decoupling and sealing
- Galvanized steel sheet, 5 mm
- Neopren gasket
- 1 Pack = 2 pieces

**RSK 315 | 102664**



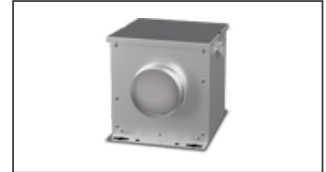
- Back draught shutter for tube fitting
- Galvanized steel sheet housing
- Aluminum flaps

**SG 315 02 | 112675**



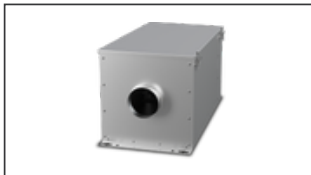
- Inlet protection grille for Etaline
- Galvanized steel sheet

**FV 315 | 112834**



- Air filter box with mat filter ISO Coarse 45 % (G3)
- Toggle-type fastener

**FT 315 | 112846**



- Air filter box for pocket filter
- Toggle-type fastener
- Galvanized steel sheet housing
- Without filter

**FTW 315 | 112855**



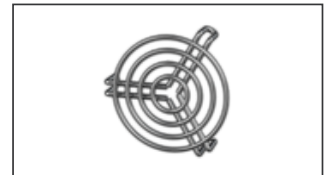
- Air filter box with pocket filter M5
- Integrated warm water heating coil
- Galvanized steel sheet housing
- Toggle-type fastener

**RSK 315D | 113489**



- Back draught shutter for tube fitting
- Galvanized steel sheet housing
- Aluminum flaps
- Integrated gasket

**SG 315 01 | 169592**



- Protection grille for tube connection
- Galvanized wire

**SDS 315 | 169609**



- Rigid tube silencer
- Galvanized steel sheet
- Sound insulation packing 50 mm (mineral wool)

**SDF 315 | 169645**



- Flexible tube silencer
- Galvanized steel sheet
- Sound insulation packing 50 mm



to the product detail page

## ELECTRICAL ACCESSORIES

**GS 03 | 107633**



- Device switch
- $U_{max} = 400\text{ V}$ ,  $I_{max} = 25\text{ A}$
- Switching capacity  $400\text{ V } 3\text{-} = 7,5\text{ kW}$
- Protection class IP 55

**CON P1000 | 115259**



- Constant pressure control
- Actual value display possible via optional control unit
- Output 0-10 V DC + FC enable + setpoint reached
- Pressure setting by means of decade switch

**MTP 20 | 128146**



- Potentiometer 10 k $\Omega$
- Switching contact 1A/250V AC - 2,5A/12V DC
- Max. ambient temperature 50 °C
- VDE

**MTP 30 | 143289**



- Stepped potentiometer 10 k $\Omega$
- Step 1 + 2 settable 10 % - 100 % Vdc
- Step 3 100 % Vdc
- Supply voltage +10 Vdc

**MTP 40 | 147359**



- Potentiometer 10 k $\Omega$
- Connection in terminal box
- Max. ambient temperature 50 °C
- PU: 20 pieces

**MTP 50 | 153133**



- Potentiometer with multifunction output
- 230 VAC  $\pm 10\%$  / 50-60 Hz
- Selectable output: 1-10 VDC / 2-20 mA / 10-100 % PWM
- Min. and max. output value adjustable

